



Sharpak 18 sharps container with **VisiLOCK™** PATENTED

With small volume usage and portability in mind, the 1.58 litre SHARPAK 18® has been developed to offer a sharps container that is not only compact but extremely versatile. Made from a robust plastic, the SHARPAK 18 is suitable for the vast majority of sharps disposal needs without occupying valuable space. Pre-assembled for convenience, this container offers all the qualities normally associated with a UN/BS SHARPAK product, including an easy to operate rotational open/close/lock closure, needle and vacutainer removing devices, and a strong integral handle to suit wall and trolley mounting.

The SHARPAK 18 offers the following features:

MANUFACTURED, TESTED AND CERTIFIED TO BS7320:1990
AND FRENCH STANDARD NF X 30-500

UN TESTED AND CERTIFIED

SUPPLIED ASSEMBLED

EASY TO OPERATE ROTATING OPEN/CLOSE/LOCK CLOSURE

SECURE CLOSURE LOCK

FEATURING VISILOCK INDICATOR SYSTEM

DISTINCTIVE COLOURING AND CLEAR LABELLING

TOUGH AND DURABLE

SEQUENTIAL NUMBERING FOR TRACEABILITY

COST EFFECTIVE

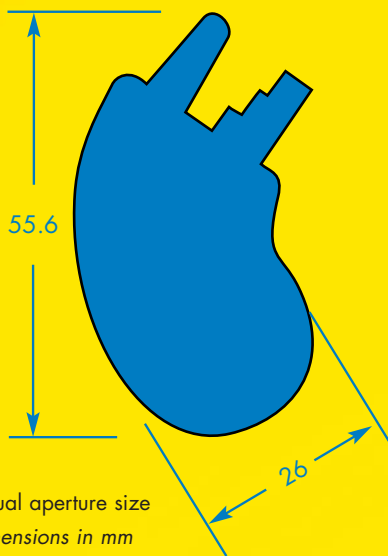
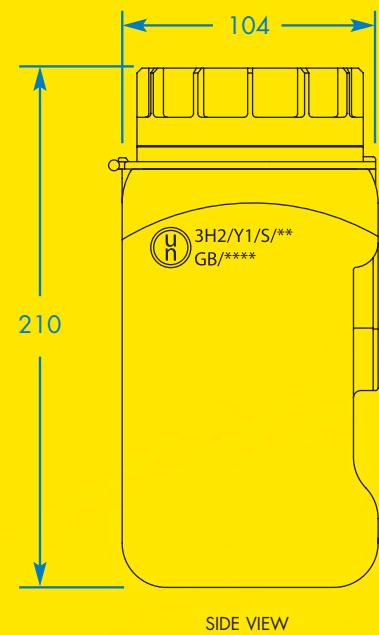
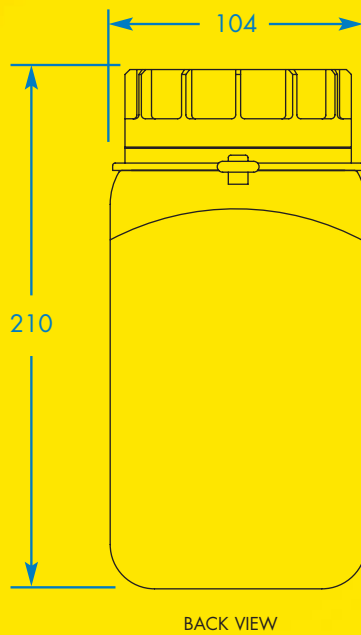
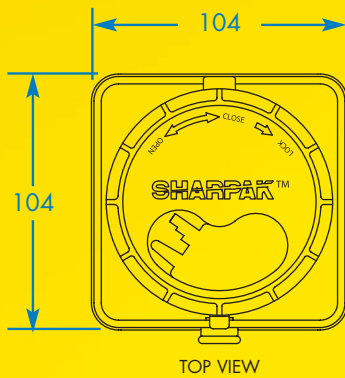
PURPOSE DESIGNED WALL AND TROLLEY BRACKET

ACCEPTS UP TO 20ML SYRINGES

SUITABLE FOR USE WITH THE SHARPAK PROCEDURE TRAY

The SHARPAK 18 is approved to the British Standard BS7320:1990 and tested and certified in accordance with the provisions of the United Nations recommendations on the Transportation of Dangerous Goods, Chapter 9, UN3291 Clinical Waste, Unspecified, NOS.





SHARPAK® 18 INFORMATION

Height	210 mm
Width	104 mm
Aperture	55.6 x 26 mm
Max Capacity	1.58 litres
Capacity to fill line	1.27 litres
Sharpak 18 case re-order code	SU06495
Quantity per case	48
Wall and trolley bracket	SM06500



OPEN



1ST CLICK 'CLOSED'



2ND CLICK 'LOCKED'
WITH VISOLOCK INDICATOR

For details regarding SHARPAK distributors and world wide availability, please contact: Amcor Flexibles/SPS Laboratoires Winterbourne Road Stoke Gifford BRISTOL BS34 6PT
Tel +44 (0)117 983 6003
Fax +44 (0)117 983 6001
E mail david.scarrow@amcor-flexibles.com
www.sharpakforsharps.co.uk