

SHARPAK™ Infection control products



Sharpak 35 'plus' sharps container with **VisiLOCK™** PATENTED

The SHARPAK 35 sharps container has been developed to compliment the Sharpak Plus range offering more product choice for the infection control sector. The revised aperture incorporates an insulin pen needle removing feature and the container can be used with a dedicated procedure tray.

The SHARPAK 35 'PLUS' is approved to the British Standard BS7320:1990 and tested and certified in accordance with the provisions of the United Nations recommendations on the Transportation of Dangerous Goods, Chapter 9, UN3291 Clinical Waste, Unspecified, NOS.

The SHARPAK 35 'PLUS' offers the following features:

MANUFACTURING AND TESTED TO BS7320:1990 & FRENCH STANDARD NF X 30-500

UN TESTED AND CERTIFIED

QUICK AND EASY TO ASSEMBLE

EASY TO OPERATE ROTATING OPEN/CLOSE/LOCK CLOSURE

SECURE CLOSURE LOCK

FEATURING VISILOCK INDICATOR SYSTEM

INSULIN PEN NEEDLE REMOVING FEATURE

NEEDLE/VACCUTAINER REMOVER

DISTINCTIVE COLOURING AND CLEAR LABELLING

ONE PIECE BASE AND HANDLE MOULDING

TOUGH AND DURABLE

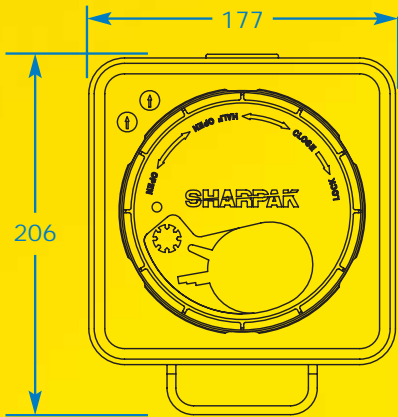
COST EFFECTIVE

PURPOSE DESIGNED BRACKET FEATURE FOR SIMPLE WALL AND TROLLEY MOUNTING

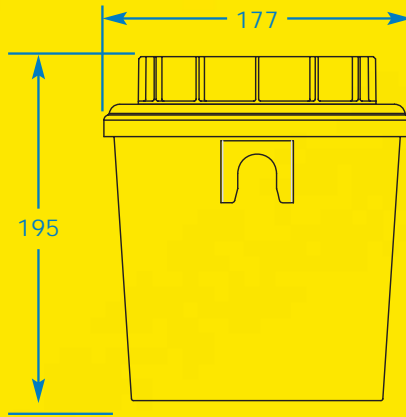
DEDICATED PROCEDURE TRAY AVAILABLE

SHARPAK™
HEALTHCARE

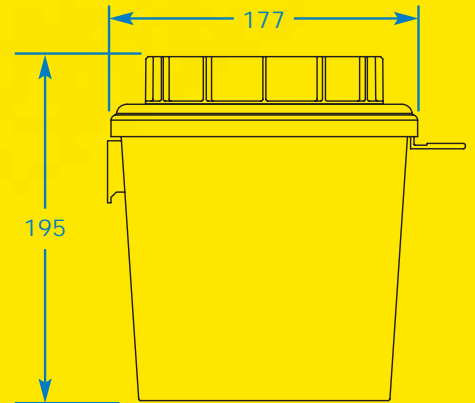




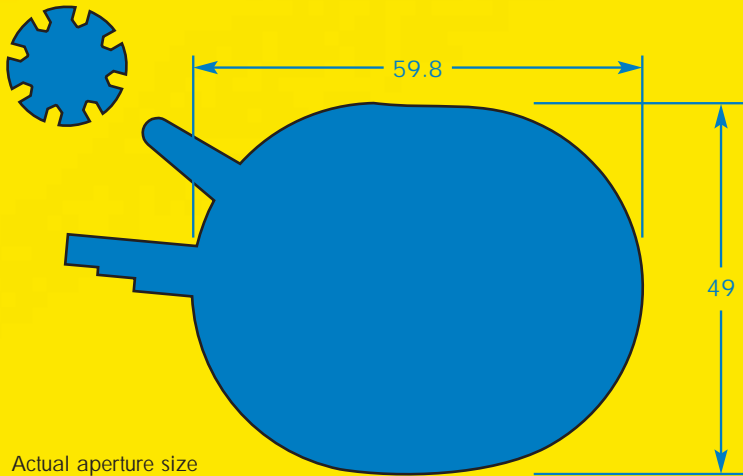
TOP VIEW



BACK VIEW



SIDE VIEW



Actual aperture size
Dimensions in mm

SHARPAK® 35 'PLUS' INFORMATION

Height	195 mm
Width	177 mm
Aperture	59.8 x 49 mm
Max Capacity	3.5 litres
Capacity to fill line	2.63 litres
Sharpak 35 Plus re-order code	SU03500
Quantity per case	40
Procedure Tray re-order code	SU03501
Quantity per case	5



OPEN



1ST POSITION 'HALF OPEN'



2ND POSITION 'CLOSED'



3RD POSITION 'LOCKED'
WITH VISILOCK INDICATOR



INSULIN PEN NEEDLE REMOVING FEATURE



DEDICATED PROCEDURE TRAY

For details regarding Sharpak distributors and world wide availability, please contact: Amcor Flexibles/SPS Laboratoires
Winterbourne Road Stoke Gifford BRISTOL BS34 6PT
Tel +44 (0)117 983 6003
Fax +44 (0)117 983 6001
E mail david.scarrow@amcor-flexibles.com
www.sharpakforsharps.co.uk