

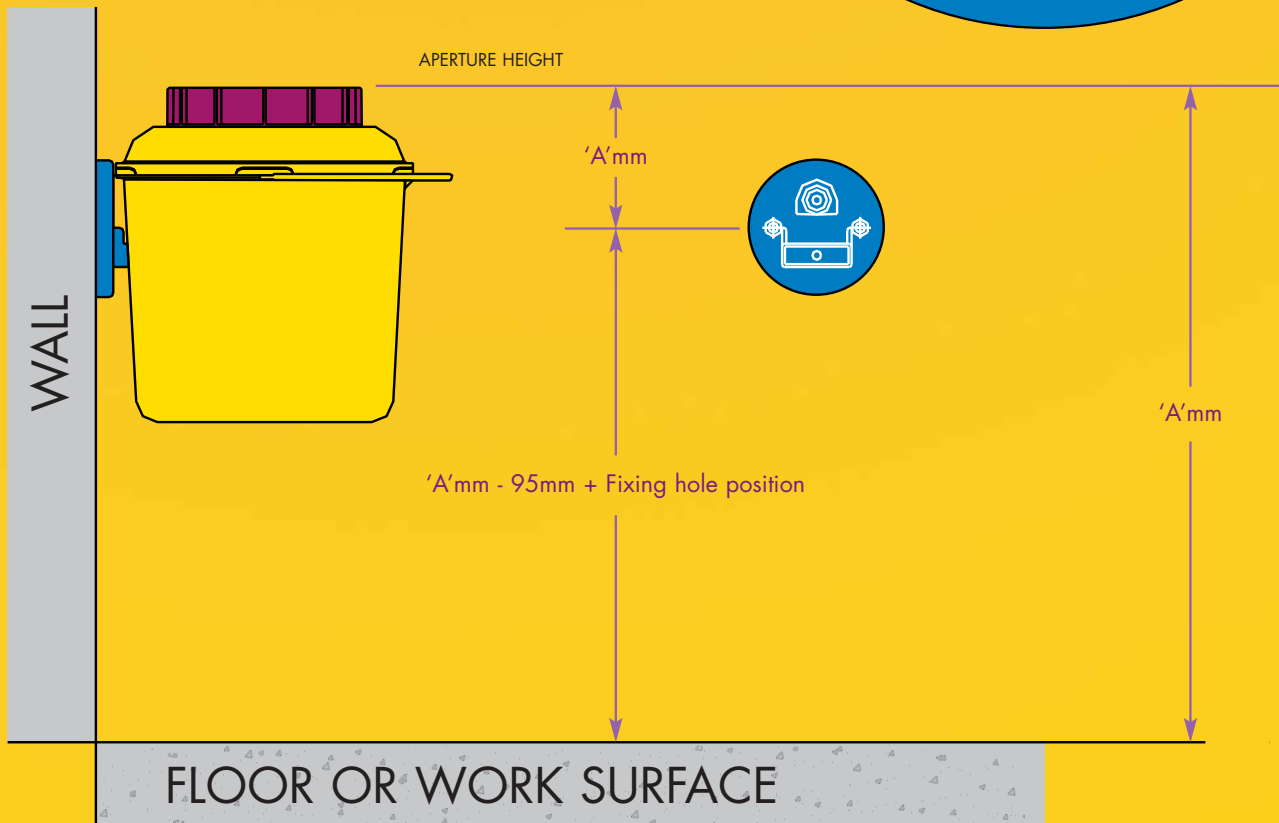
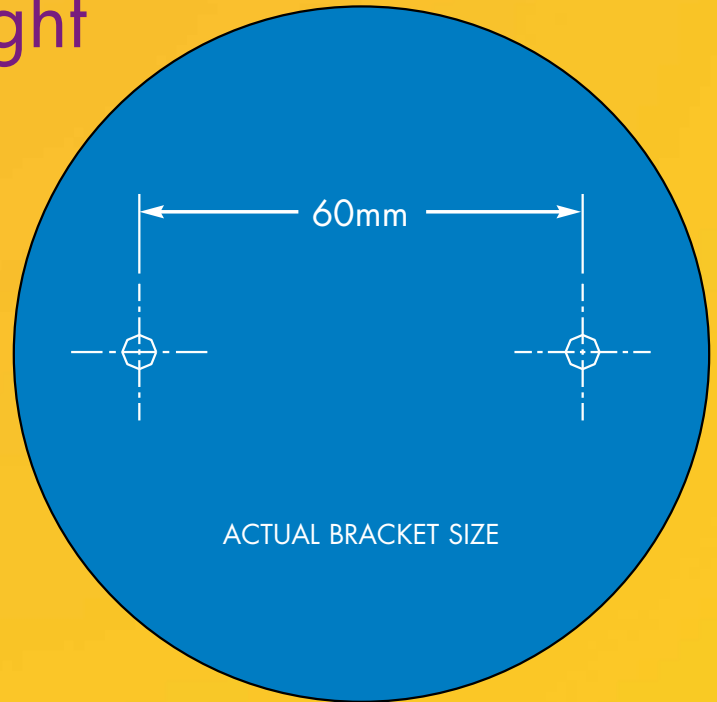
Wall bracket fixing height

Where possible Amcor Flexibles recommend that sharps containers should be located in a safe place fixed to wall brackets.

In order to ensure that the container aperture is at the best working height, whether measured from the floor or from the work surface, the bracket can be correctly positioned by using the simple formula shown below.

Amcor Flexibles are pleased to supply wall and trolley brackets free of charge. Please contact us for more information.

Pack Quantity	1
Product Code	SM05000



For additional copies of posters please contact:
Amcor Flexibles/SPS Laboratoires
Winterbourne Road Stoke Gifford BRISTOL BS34 6PT
Tel +44 (0)117 983 6003
Fax +44 (0)117 983 6001
E mail david.scarrow@amcor-flexibles.com
www.sharpakforsharps.co.uk

AMCOR