



## Sharpak 35 PLUS sharps container with **VisiLOCK**<sup>TM</sup> PATENTED

The SHARPAK 35 sharps container has been developed to compliment the Sharpak Plus range offering more product choice for the infection control sector. The revised aperture incorporates an insulin pen needle removing feature and the container can be used with a dedicated procedure tray.

The SHARPAK 35 PLUS is approved to the British Standard BS7320:1990 and tested and certified in accordance with the provisions of the United Nations recommendations on the Transportation of Dangerous Goods, Chapter 9, UN3291 Clinical Waste, Unspecified, NOS.

The SHARPAK 35 PLUS offers the following features:

---

MANUFACTURING AND TESTED TO BS7320:1990  
& FRENCH STANDARD NF X 30-500

---

UN TESTED AND CERTIFIED

---

QUICK AND EASY TO ASSEMBLE

---

EASY TO OPERATE ROTATING OPEN/CLOSE/LOCK CLOSURE

---

SECURE CLOSURE LOCK

---

FEATURING VISILOCK INDICATOR SYSTEM

---

INSULIN PEN NEEDLE REMOVING FEATURE

---

NEEDLE/VACCUTAINER REMOVER

---

DISTINCTIVE COLOURING AND CLEAR LABELLING

---

ONE PIECE BASE AND HANDLE MOULDING

---

TOUGH AND DURABLE

---

COST EFFECTIVE

---

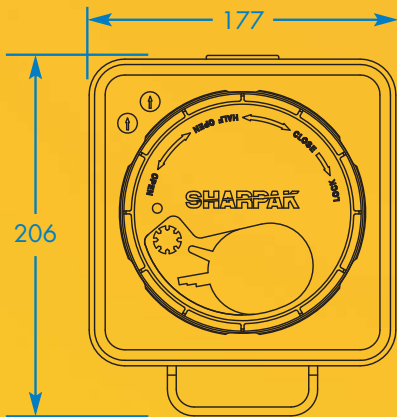
PURPOSE DESIGNED BRACKET FEATURE FOR SIMPLE  
WALL AND TROLLEY MOUNTING

---

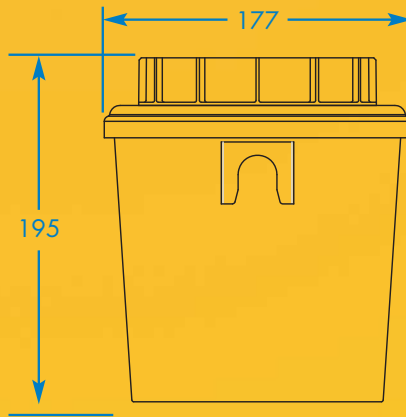
DEDICATED PROCEDURE TRAY AVAILABLE

**SHARPAK**<sup>TM</sup>  
HEALTHCARE

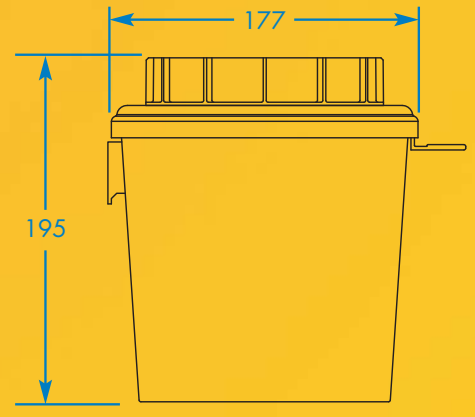




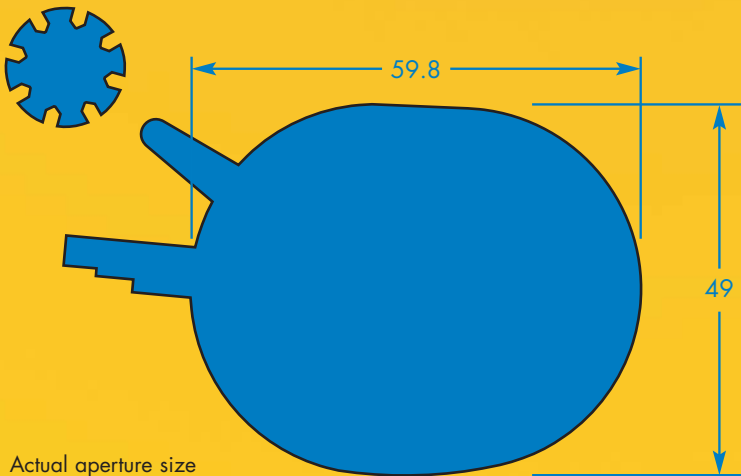
TOP VIEW



BACK VIEW



SIDE VIEW



Actual aperture size  
Dimensions in mm

**SHARPAK® 35 PLUS INFORMATION**

Height	195 mm
Width	177 mm
Aperture	59.8 x 49 mm
Max Capacity	3.5 litres
Capacity to fill line	2.63 litres
Sharpak 35 Plus re-order code	SU03500
Quantity per case	40
Procedure Tray re-order code	SU03501
Quantity per case	5



OPEN



1ST POSITION 'HALF OPEN'



2ND POSITION 'CLOSED'



3RD POSITION 'LOCKED'  
WITH VISILOCK INDICATOR



INSULIN PEN NEEDLE REMOVING FEATURE



DEDICATED PROCEDURE TRAY

For details regarding Sharpak distributors and world wide availability, please contact: Amcor Flexibles/SPS Laboratoires  
Winterbourne Road Stoke Gifford BRISTOL BS34 6PT  
Tel +44 (0)117 983 6003  
Fax +44 (0)117 983 6001  
E mail david.scarrow@amcor-flexibles.com  
www.sharpakforsharps.co.uk