



## Sharpak 6 sharps container

The SHARPAK® 6 has the capacity of 0.60 litres and is suitable for use in the community and applications where space is an issue.

The SHARPAK 6 is approved to the British Standard BS7320:1990 and tested and certified in accordance with the provisions of the United Nations recommendations on the Transportation of Dangerous Goods, Chapter 9, UN3291 Clinical Waste, Unspecified, NOS.

The SHARPAK 6 offers the following features:

---

MANUFACTURED, TESTED AND CERTIFIED TO BS7320:1990

---

UN TYPE TESTED AND CERTIFIED

---

SUPPLIED ASSEMBLED

---

EASY TO OPERATE CLOSURE

---

APERTURE EQUIPPED WITH NEEDLE REMOVING FEATURES

---

OPTION AVAILABLE WITH NON-RETURN APERTURE - (SHARPAK 7)

---

DISTINCTIVE COLOURING AND LABELLING

---

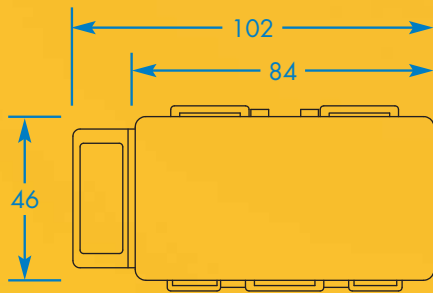
TOUGH AND DURABLE

---

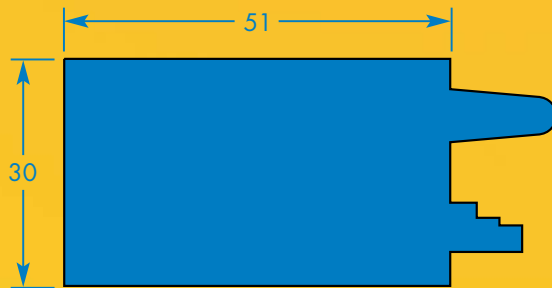
COST EFFECTIVE

SHARPS INJURY PREVENTION PACK (SIPP) ALSO AVAILABLE WHICH CONTAINS A SHARPAK 6 SHARPS CONTAINER (SEE REVERSE)

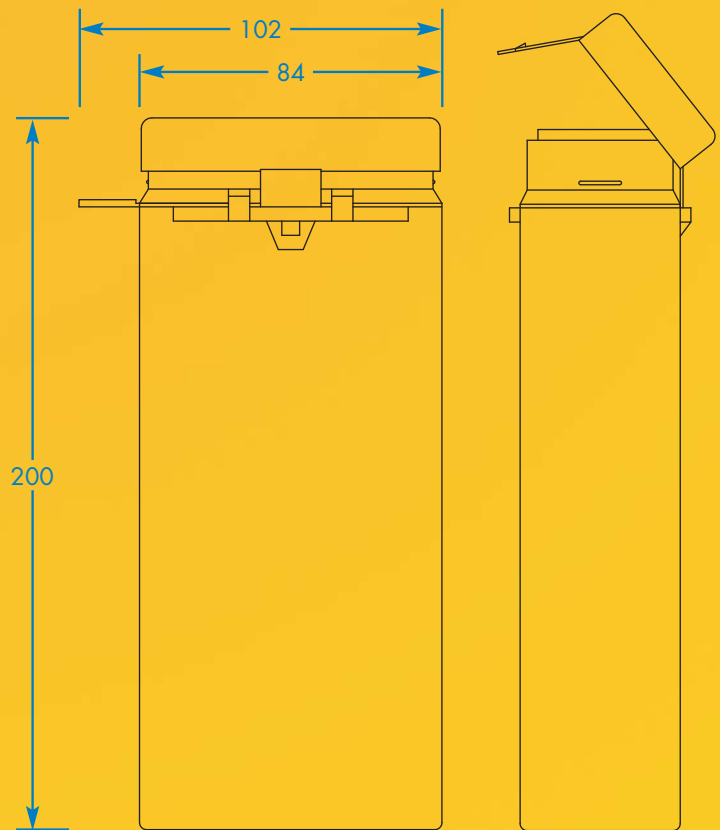




TOP VIEW



Actual aperture size  
Dimensions in mm



FRONT VIEW

SIDE VIEW



The Sharps Injury Prevention Pack (SIPP) was originally developed for the protection from infection of clinical staff working in the community. The SIPP pack is also ideal for people such as local council and refuse collection staff, park wardens, post collection staff, or indeed anyone who may be faced with having to handle and dispose of someone else's discarded needles and syringes.

Each pack contains a Sharpak 6 sharps container, surgical gloves, disinfectant spray, surgical wipes and forceps for picking up used sharps. The SIPP pack also includes yellow plastic sacks and security ties for the disposal of non-sharp items.

**SHARPAK 6 SHARPS CONTAINER**

Max Capacity	0.6 litres
Capacity to fill line	0.48 litres
Sharpak 6 case re-order code	SU07400
Sharpak 6 quantity per case	60
Sharpak 7 case re-order code	SU06208
Sharpak 7 quantity per case	60
Sharps Injury Prevention Pack (SIPP) re-order code	SB06196
Sharps Injury Prevention Pack (SIPP) quantity per case	8

For details regarding Sharpak distributors and world wide availability, please contact: Amcor Flexibles/SPS Laboratoires  
Winterbourne Road Stoke Gifford BRISTOL BS34 6PT  
Tel +44 (0)117 983 6003  
Fax +44 (0)117 983 6001  
E mail david.scarrow@amcor-flexibles.com  
www.sharpakforsharps.co.uk